

DUB – self lubricating bearing material

1. Structure

PTFE with lead composite sliding layer on sintered bronze on bronze backing.

2. Features

- dry bearing material with good wear and friction performance over a wide range of loads, speeds, and temperature conditions,
- also performs well with oil lubrication,
- bronze backing provides good corrosion resistance and antimagnetic properties,
- bronze backing is a final protection in emergency situations,
- suitable for rotating, reciprocating and oscillating motion,
- very low friction vibration,
- available from stock in a wide range of standard sizes.

3. Applications

- industrial: lifting equipment, hydraulic pumps and motors, pneumatic equipment, medical equipment, textile machinery, agricultural equipment, scientific equipment, drying ovens, office equipment, etc.
- automotive: McPherson's struts and shock absorbers, door, bonnet and tailgate hinges, steering columns, clutches, gearbox selector fork guides, wiper arms, power steering pumps, pedal bushes, ABS equipment, etc.

4. Availability

- ex stock: standard cylindrical bushes, flanged washers, strips, both in metric and inch size range,
- to order: flanged bushes, thrust washers and non standard parts.

5. Technical data

Parameter		Unit	Value
Maximum load	static	MPa	140
	dynamic		140
Maximum sliding speed	dry	m/s	2,5
Maximum p x v factor	dry	MPa x m/s	continuous work
			periodic work
Work temperature	maximum	°C	+280
	minimum		-200
Coefficient of friction	dry	-	0,02 – 0,25
	oil lubricated		0,02 – 0,12
Surface Ra finish	shaft	µm	0,2 – 0,8
	housing		1,8 – 3,2
Fitting	shaft	-	<Ø5 mm
			Ø5 – Ø75 mm
			Ø80 mm
	housing		<Ø5 mm
			≥Ø5 mm
Shaft hardness		HB	180
		HRC	35

6. Working conditions

dry	very good
oil lubricated	good
grease lubricated	fair
water lubricated	good
process fluid lubricated	fair

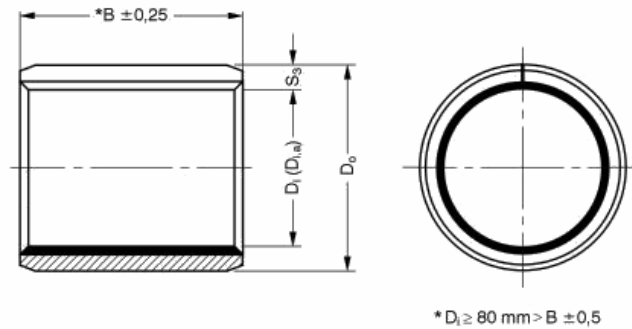
7. Assembly tips

Assemble with stepped shaft in housings with insertion chamfer. Before assembly moisten housing or bush with oil. Fixture: no additional fixture is necessary after press fitting in, however gluing is permissible in special applications or with reciprocating motion.

Caution: Do not use any lubricants containing MoS₂, graphite or any other solid ingredients (can result with increased wear due to higher friction).

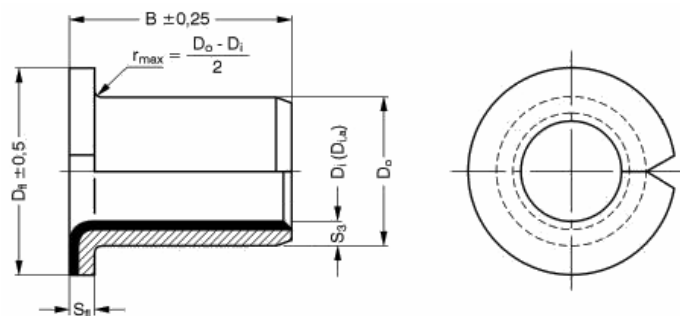


8. Series range



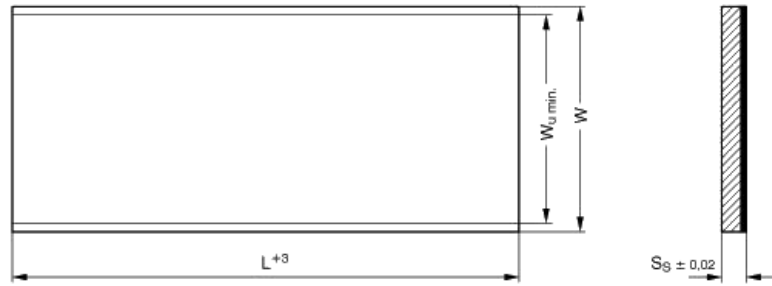
Tab. 1. Cylindrical bushes

Symbol	Di	Do	B	Symbol	Di	Do	B	Symbol	Di	Do	B	Symbol	Di	Do	B
0203DUB	2	3,5	3	1415DUB	14	16	15	3040DUB	30	34	40	80100DUB	80	85	100
0205DUB	2	3,5	5	1420DUB	14	16	20	3240DUB	32	36	40	85100DUB	85	90	100
0306DUB	3	4,5	6	1515DUB	15	17	15	3520DUB	35	39	20	9060DUB	90	95	60
0404DUB	4	5,5	4	1525DUB	15	17	25	3530DUB	35	39	30	90100DUB	90	95	100
0406DUB	4	5,5	6	1615DUB	16	18	15	4030DUB	40	44	30	95100DUB	95	100	100
0505DUB	5	7	5	1625DUB	16	18	25	4050DUB	40	44	50	10060DUB	100	105	60
0510DUB	5	7	10	1820DUB	18	20	20	4530DUB	45	50	30	100115DUB	100	105	115
0606DUB	6	8	6	1825DUB	18	20	25	4550DUB	45	50	50	105115DUB	105	110	115
0608DUB	6	8	8	2015DUB	20	23	15	5040DUB	50	55	40	110115DUB	110	115	115
0610DUB	6	8	10	2020DUB	20	23	20	5060DUB	50	55	60				
0808DUB	8	10	8	2025DUB	20	23	25	5540DUB	55	60	40				
0810DUB	8	10	10	2030DUB	20	23	30	6040DUB	60	65	40				
0812DUB	8	10	12	2215DUB	22	25	15	6050DUB	60	65	50				
1010DUB	10	12	10	2220DUB	22	25	20	6060DUB	60	65	60				
1015DUB	10	12	15	2225DUB	22	25	25	6070DUB	60	65	70				
1208DUB	12	14	8	2515DUB	25	28	15	6570DUB	65	70	70				
1210DUB	12	14	10	2525DUB	25	28	25	7050DUB	70	75	50				
1212DUB	12	14	12	2830DUB	28	32	30	7070DUB	70	75	70				
1215DUB	12	14	15	3020DUB	30	34	20	7580DUB	75	80	80				
1410DUB	14	16	10	3030DUB	30	34	30	8060DUB	80	85	60				



Tab. 2. Flanged bushes

Symbol	Di	Do	B	Dfl	Symbol	Di	Do	B	Dfl	Symbol	Di	Do	B	Dfl
BB0304DUB	3	4,5	4	7	BB1209DUB	12	14	9	20	BB2017DUB	20	23	16,5	30
BB0404DUB	4	5,5	4	9	BB1212DUB	12	14	12	20	BB2512DUB	25	28	11,5	35
BB0505DUB	5	7	5	10	BB1417DUB	14	16	17	22	BB2522DUB	25	28	21,5	35
BB0604DUB	6	8	4	12	BB1512DUB	15	17	12	23	BB3016DUB	30	34	16	42
BB0608DUB	6	8	8	12	BB1517DUB	15	17	17	23	BB3026DUB	30	34	26	42
BB0806DUB	8	10	5,5	15	BB1612DUB	16	18	12	24	BB3526DUB	35	39	26	47
BB0810DUB	8	10	9,5	15	BB1617DUB	16	18	17	24	BB4026DUB	40	44	26	53
BB1007DUB	10	12	7	18	BB1812DUB	18	20	12	26	BB4526DUB	45	50	26	58
BB1012DUB	10	12	12	18	BB1822DUB	18	20	22	26					
BB1207DUB	12	14	7	20	BB2012DUB	20	23	11,5	30					



Tab. 3. Plates

Symbol	L	W	W _u	S _s
S07085DUB	500	95	85	0,72
S10180DUB	500	193	180	0,99
S15180DUB	500	193	180	1,5
S20180DUB	500	193	180	1,98
S25180DUB	500	193	180	2,48