

## Glacetal KA – low maintenance bearing material

### 1. Structure

Acetal co-polymer.

### 2. Characteristics

- suitable for light-duty applications only
- suitable for use dry, oil or grease lubrication
- manufactured by precision injection moulding

### 3. Applications

- for axial location only - used in conjunction with DU/DX bushes, etc.,
- to prevent metal to metal contact and fretting damage.

### 4. Availability

- from stock: thrust washers.

### 5. Technical data

Parameter		Unit	Value
Maximum load	static	MPa	20
	dynamic		10
Maximum sliding speed	lubricated	m/s	1,5
Maximum p x v factor	lubricated	MPa x m/s	0,35
Work temperature	maximum	°C	+80
	minimum		-40
Coefficient of friction	lubricated	-	0,08 – 0,12

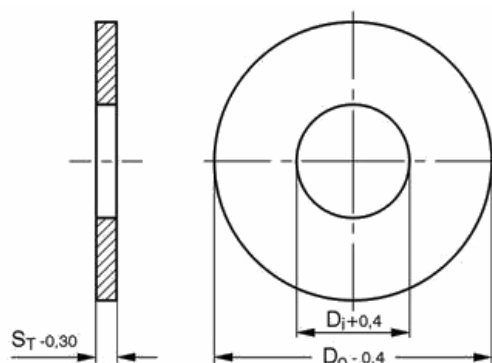
### 6. Working conditions

dry	fair
oil lubricated	good
grease lubricated	good
water lubricated	fair
process fluid lubricated	fair

### 7. Assembly tips.

Assembly only as a light duty thrust washers.

### 8. Series range



Tab. 1. Thrust washers

Symbol	Di	Do	ST	Symbol	Di	Do	ST
<b>WC10KA</b>	10,5	24,2	1,65	<b>WC28KA</b>	28,5	48,2	1,65
<b>WC12KA</b>	12,5	26,2	1,65	<b>WC30KA</b>	30,5	54,2	1,65
<b>WC14KA</b>	14,5	30,2	1,65	<b>WC35KA</b>	36	62,2	1,65
<b>WC16KA</b>	16,5	32,2	1,65	<b>WC40KA</b>	41	66,2	1,65
<b>WC18KA</b>	18,5	36,2	1,65	<b>WC45KA</b>	46	74,2	2,15
<b>WC20KA</b>	20,5	32	1,65	<b>WC50KA</b>	51	78,2	2,15
<b>WC22KA</b>	22,5	42,2	1,65				
<b>WC24KA</b>	24,5	44,2	1,65				
<b>WC25KA</b>	25,5	48,2	1,65				